

# IRON & STEEL

## TUYERE STOCKS

ENERGY SAVING  
PATENTED DESIGN



Valve  
Competence  
Luxembourg

A COMPANY OF [www.sab.lu](http://www.sab.lu)

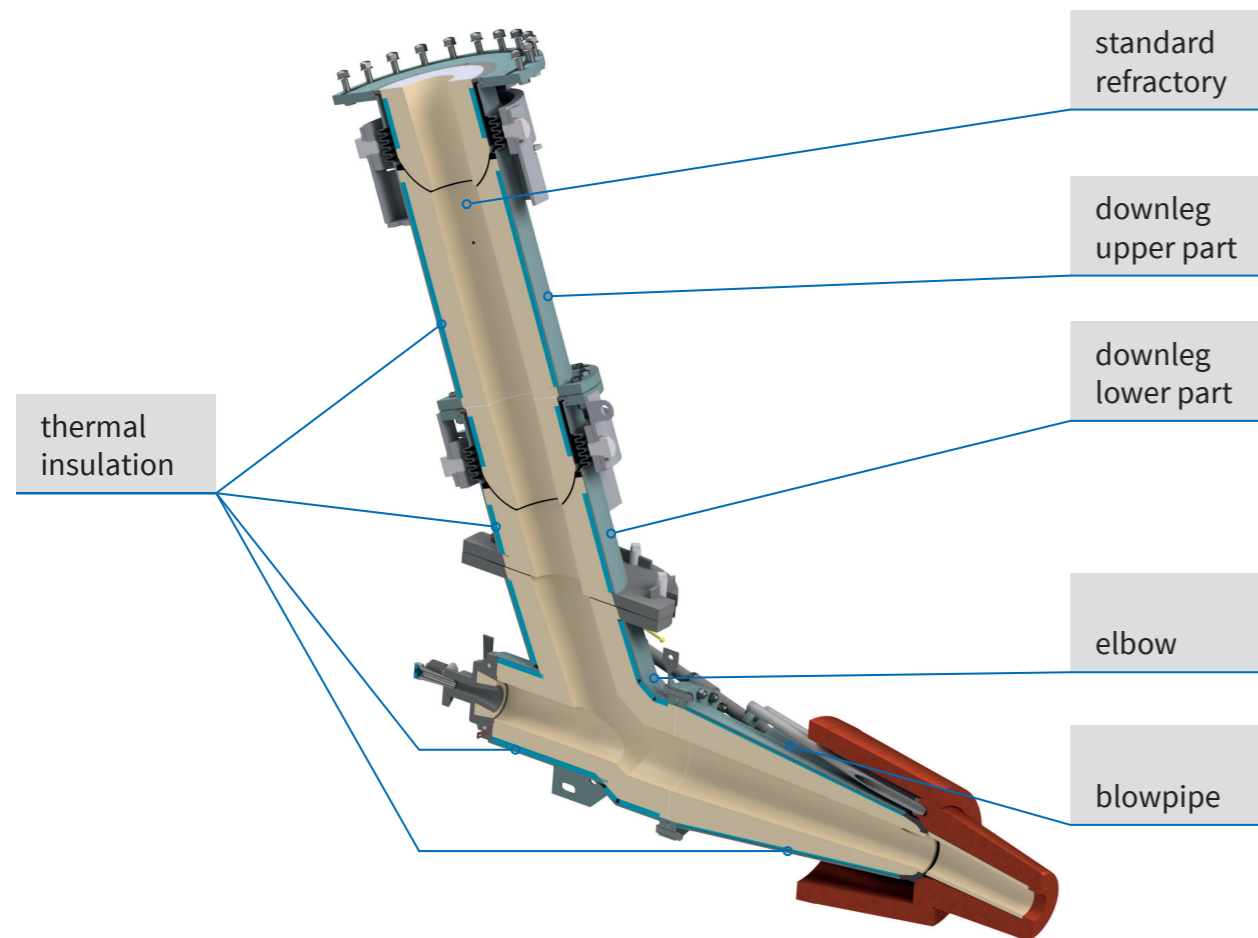


## DESIGN FEATURES OF TUYERE STOCKS

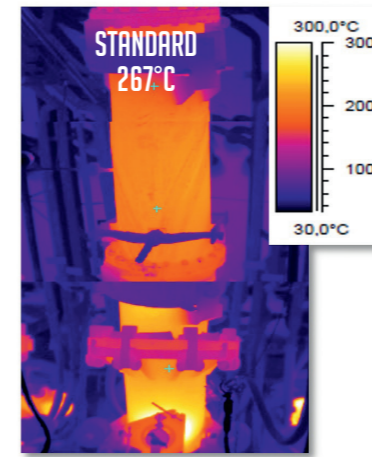
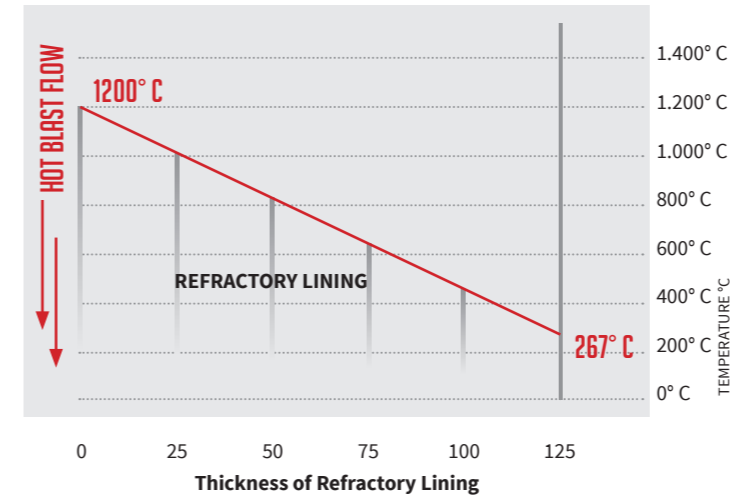
- Increased process heat retention with improved thermal insulation system (thermo blocker)
- Pressure rating up to 6.0 bar
- Service temperatures up to 1550 °C
- Nominal sizes up to 600 mm

## DESIGN ADVANTAGES

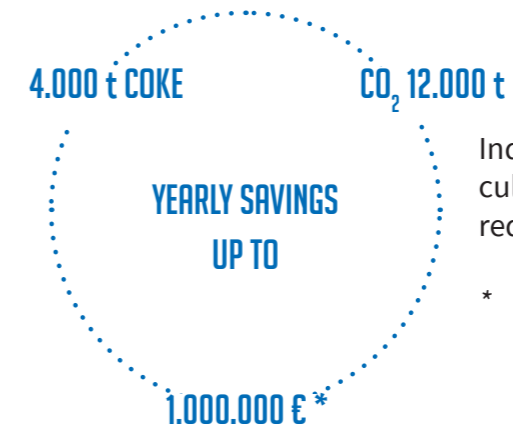
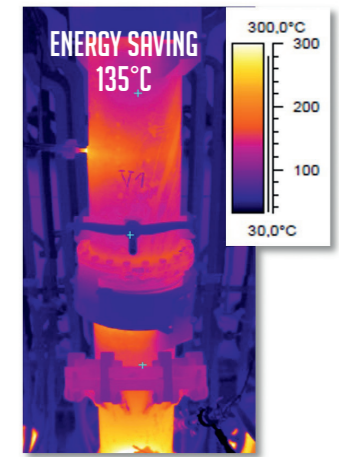
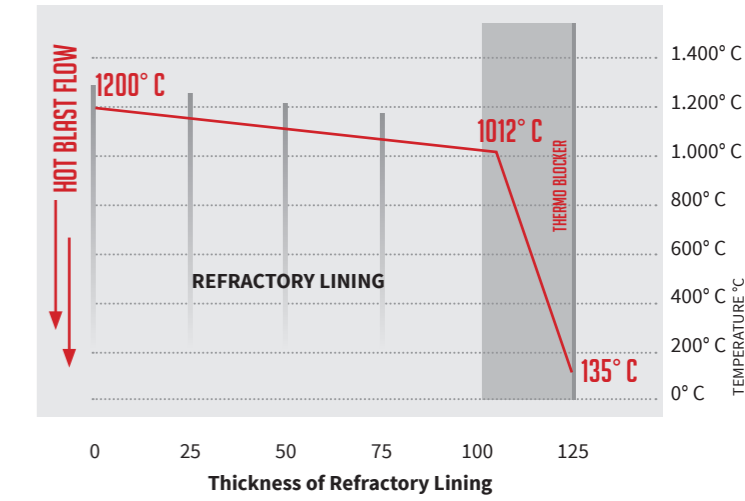
- Improved insulation and reduced thermal stresses improve both reliability & extend the total life cycle
- Reduced operating costs due to decreased heat losses
- Lower surface temperature increases operating & maintenance personnel safety



### STANDARD DESIGN



### ENERGY SAVING DESIGN

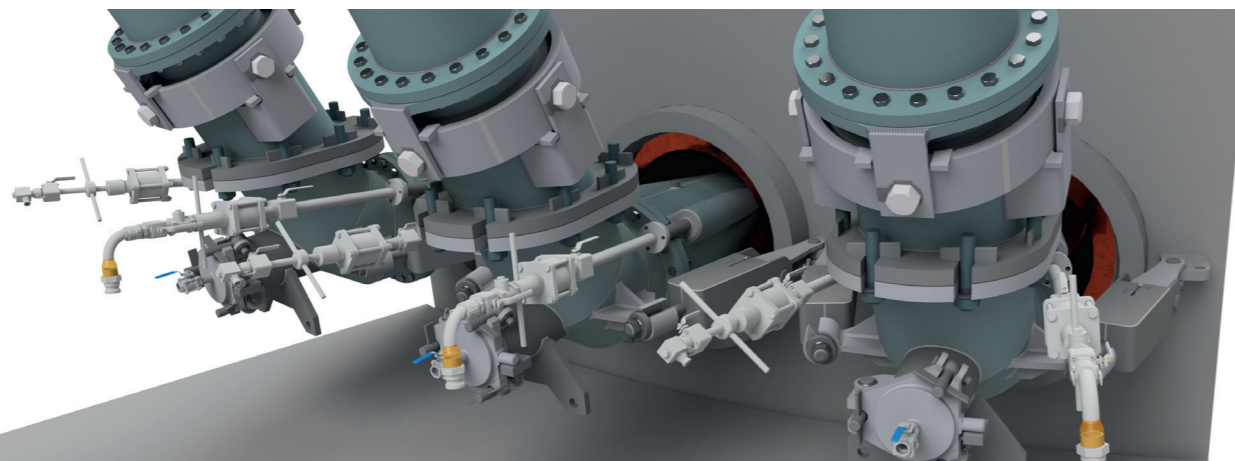


Individual cost saving calculation can be done upon request.

\* Savings depending on size of BF, coke price and CO<sub>2</sub> emission cost.

### VCL PRODUCT ID – ENERGY SAVE TUYERE STOCK

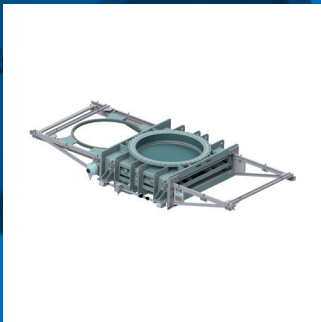
Product	Product code
Energy Save Tuyere Stock (set)	03006
Energy Save Downleg	03007
Energy Save Elbow	03035
Energy Save Blowpipe	03045





# IRON & STEEL PRODUCT RANGE

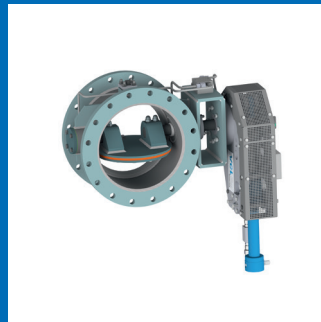
**GOGGLE VALVES**



**GUIDE LEVER VALVES**



**DOUBLE ECCENTRIC VALVES**



**EQUALIZING & RELIEF VALVES**



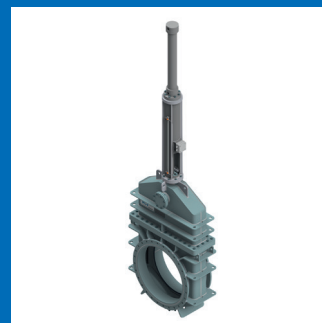
**DUST DISCHARGE VALVES**



**HOT BLAST VALVES (ENERGY SAVING)**



**BLEEDER VALVES**



**WEDGE GATE VALVES**

## ADDITIONAL PRODUCTS

SNORT VALVES | BACK DRAFT VALVES | BUTTERFLY & LOUVER VALVES  
NON RETURN VALVES | LINE BLINDS

## ADDITIONAL SERVICES

REPAIR SERVICE | REFURBISHMENT & MODIFICATIONS,  
SPARE PARTS FOR EACH KIND AND BRAND OF VALVES



Valve  
Competence  
Luxembourg

A COMPANY OF [www.sab.lu](http://www.sab.lu)

Zone Industrielle „Am Potaschberg“  
19, op der Ahlkërrech  
L-6776 Grevenmacher  
T +352 27 68 54 - 0 | [info@vcl.lu](mailto:info@vcl.lu)  
[www.vcl.lu](http://www.vcl.lu)