

IRON & STEEL

BLEEDER VALVES

BLAST FURNACE SAFETY
VALVES



WCL Valve
Competence
Luxembourg

A COMPANY OF www.sab.lu

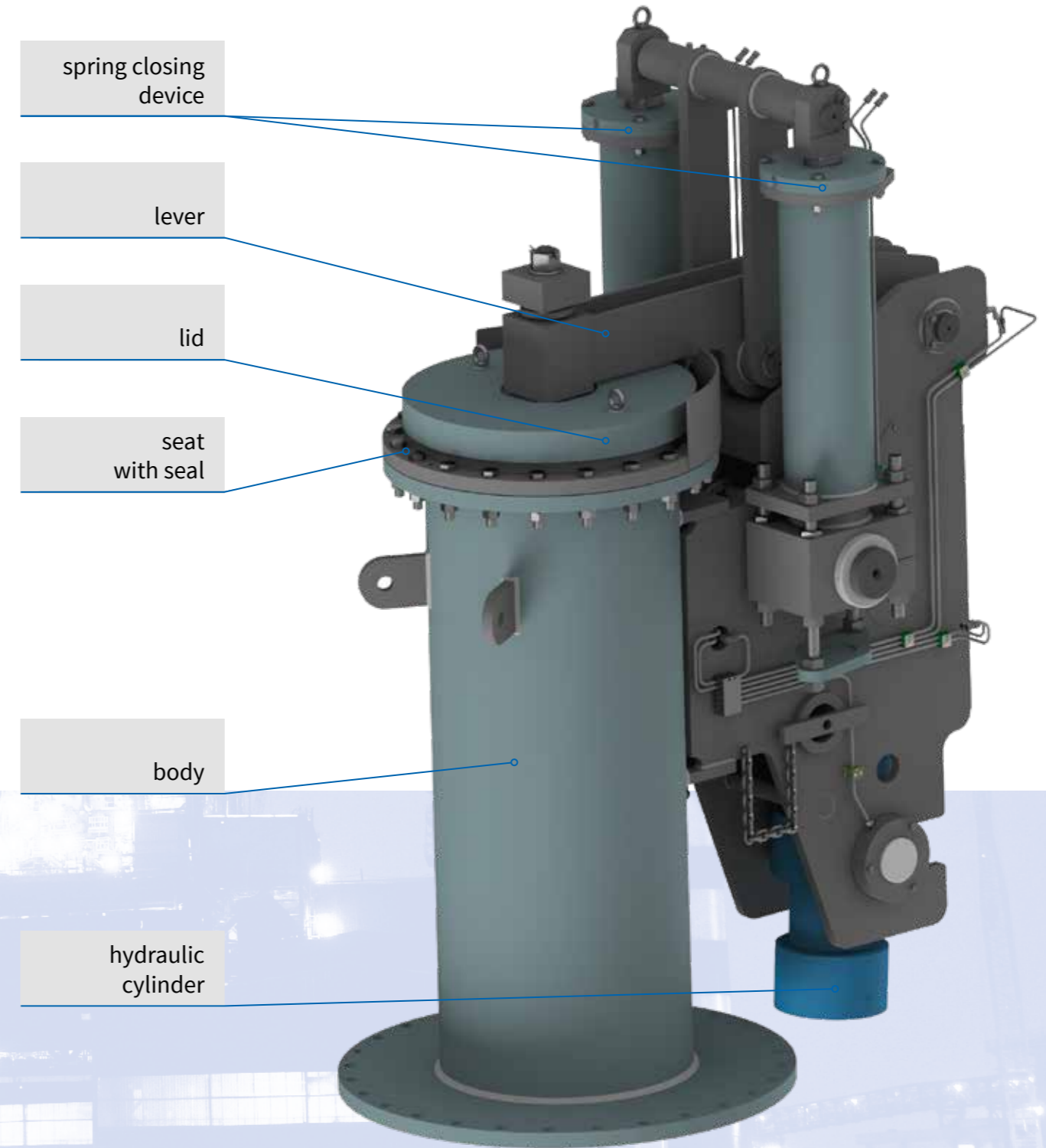
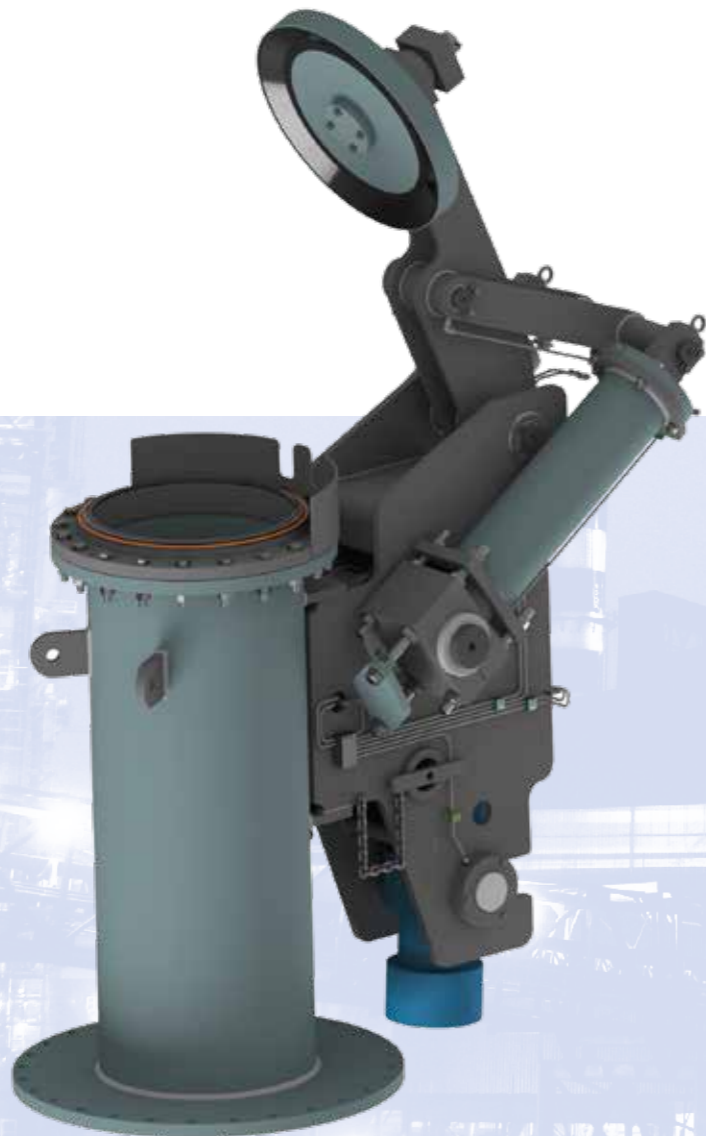


DESIGN FEATURES OF BLEEDER VALVES

- Fabricated construction
- Valve actuation by hydraulic cylinder (standard)
- Pressure rating up to 6.0 bar
- Service temperatures up to 500 °C
- Other sizes or operating conditions on request

DESIGN ADVANTAGES

- Reliable emergency opening (adjustable spring closing device)
- Precise adjustability of opening settings
- Reduced maintenance and improved accessibility of equipment components
- Higher reliability & availability thanks to continuously improved design and customer feedback over several years



IRON & STEEL PRODUCT RANGE

GOGGLE VALVES



GUIDE LEVER VALVES



DOUBLE ECCENTRIC VALVES



EQUALIZING & RELIEF VALVES



DUST DISCHARGE VALVES



HOT BLAST VALVES (ENERGY SAVING)



TUYERE STOCKS (ENERGY SAVING)



WEDGE GATE VALVES

ADDITIONAL PRODUCTS

SNORT VALVES | BACK DRAFT VALVES | BUTTERFLY & LOUVER VALVES
NON RETURN VALVES | LINE BLINDS

ADDITIONAL SERVICES

REPAIR SERVICE | REFURBISHMENT & MODIFICATIONS,
SPARE PARTS FOR EACH KIND AND BRAND OF VALVES



Valve
Competence
Luxembourg

A COMPANY OF www.sab.lu

Zone Industrielle „Am Potaschberg“
19, op der Ahlkërrech
L-6776 Grevenmacher
T +352 27 68 54 - 0 | info@vcl.lu
www.vcl.lu