

# VALVES FOR ETHYLENE PRODUCTION

OIL & GAS DOWNSTREAM PROCESSES  
SINGLE GATE-PLATE VALVE (SGV)



**VCL** Valve  
Competence  
Luxembourg

JV of Paul Wurth &  [www.sab.lu](http://www.sab.lu)

## SPECIAL VALVES

---

Taking advantage of its long-standing know-how in designing and supplying special valves for severe operating conditions for metallurgical plants like blast furnaces, the VCL's Oil & Gas division today develops, manufactures and distributes special valve solutions for refineries and petrochemical plants.

### TRANSFER LINE AND DECOKE LINE ISOLATION VALVES, SINGLE GATE-PLATE DESIGN

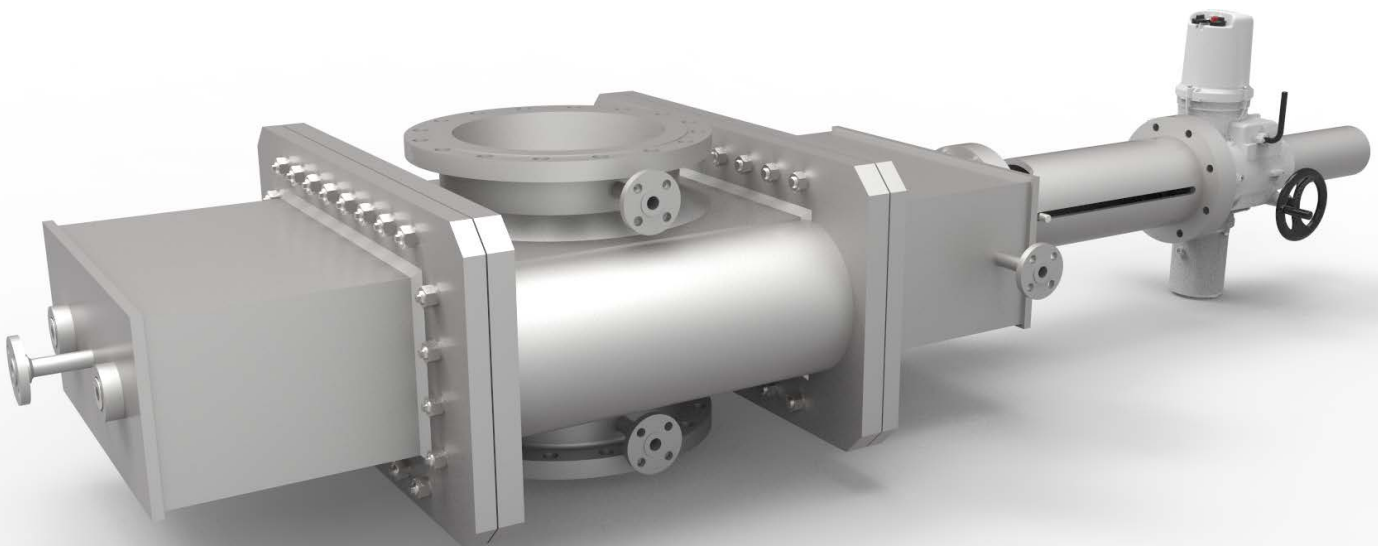
In the field of **Ethylene Production**, VCL offers Transfer Line and Decoke Line Isolation Valves tailored to your needs.

The **Single Gateplate type** Gate Valve has a higher tightness and subsequently a higher safety level than other designs. It provides a perma-

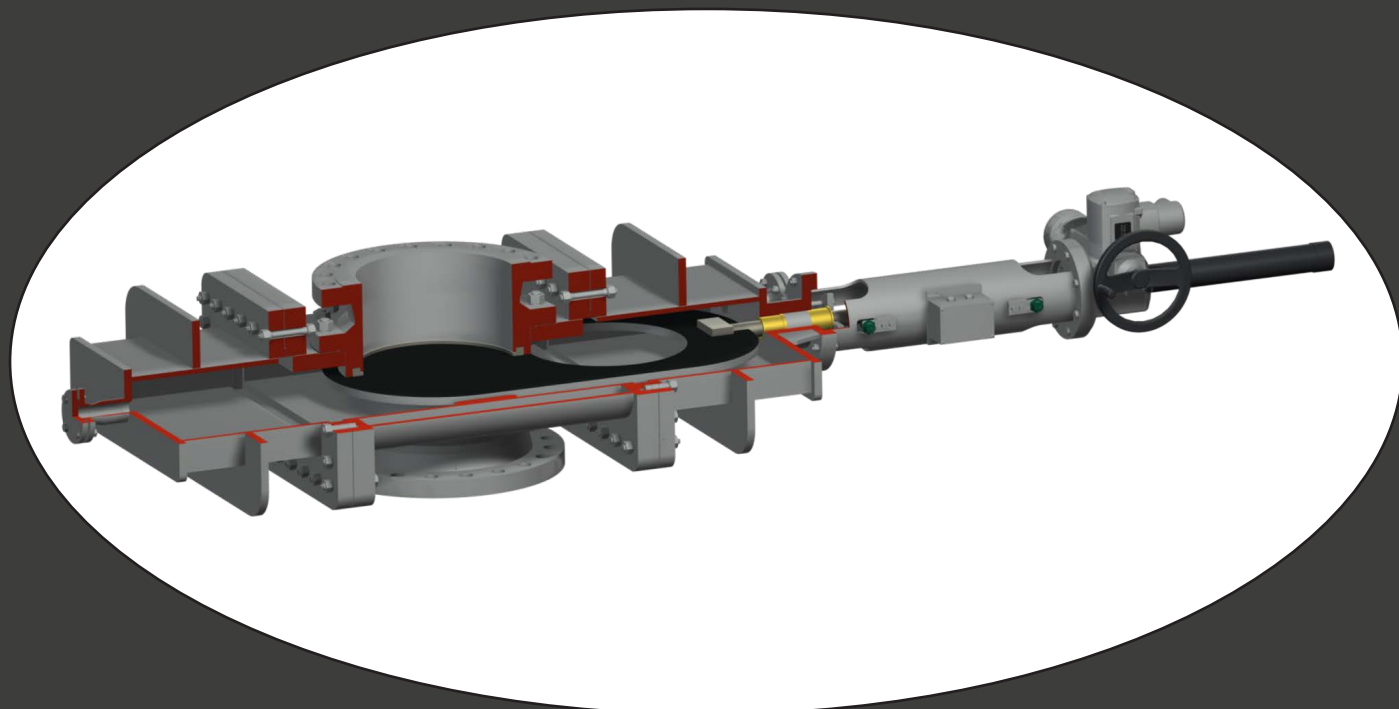
nent contact with defined, positive sealing force between the upstream- and downstream valve seats and gate plate by means of precise, mechanical adjustment independent of the medium flow direction.

#### Key features

- ▶ Double Block and Purge performance within one valve body
- ▶ No springs in use
- ▶ No lift-off in case of back-pressure.
- ▶ Special valve-body design to avoid unequal seat deformation provides :
  - higher tightness (20% less steam leakage)
  - less deformation of the connecting flanges
  - less stress to the valve-body welding-seams
  - > better fatigue performance
- ▶ Open throughway without flow restrictions in open position
- ▶ Electrical, hydraulic or pneumatic options available for valve actuation
- ▶ Valve design according to customer demands and licensors/customers specifications



Decoke Line Valve (DV)



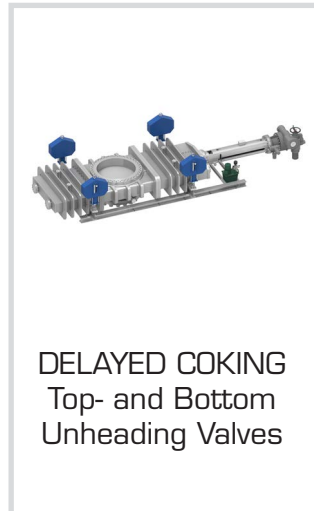
### Typical Figures

- ▶ size from 10" (250 mm) up to 58" (1450 mm)
- ▶ operating temperature up to 525° C
- ▶ operating pressure up to 16 bar(g)
- ▶ actuation: electric, pneumatic or hydraulic

**Other sizes, design features and / or operating features are available on request.**

## VCL PRODUCT RANGE - OIL & GAS

---



## ADDITIONAL PRODUCTS - IRON & STEEL

---

Goggle Valves, Lever Valves, Double Eccentric Valves, Butterfly and Louver Valves, Dust Outlet Valves, Hot Blast Valves, Tuyere Stocks, Wedge Gate Valves

Push Lever Valves, Snort Valves, Bleeder Valves, Equalizing & Relief Valves, Back Draft Valves, Non Return Valves, Line Blinds

## ADDITIONAL SERVICES

---

Repair Service, Refurbishment and Modifications,  
Spare parts for each kind and brand of Valves



JV of Paul Wurth & [www.sab.lu](http://www.sab.lu)

19, Op der Ahlkärrech  
L-6776 Grevenmacher  
Tel.: +352 276854-0  
Fax: +352 276854-99  
E-mail: [info@vcl.lu](mailto:info@vcl.lu)  
Web: [www.vcl.lu](http://www.vcl.lu)