

VALVES FOR ETHYLENE PRODUCTION

OIL & GAS DOWNSTREAM PROCESSES
DOUBLE DISC VALVE (DGV)



VCL Valve
Competence
Luxembourg

JV of Paul Wurth & www.sab.lu

SPECIAL VALVES

Taking advantage of its long-standing know-how in designing and supplying special valves for severe operating conditions for metallurgical plants like blast furnaces, the VCL's Oil & Gas division today develops, manufactures and distributes special valve solutions for refineries and petrochemical plants.

TRANSFER LINE AND DECOKE LINE ISOLATION VALVES, DOUBLE DISC DESIGN

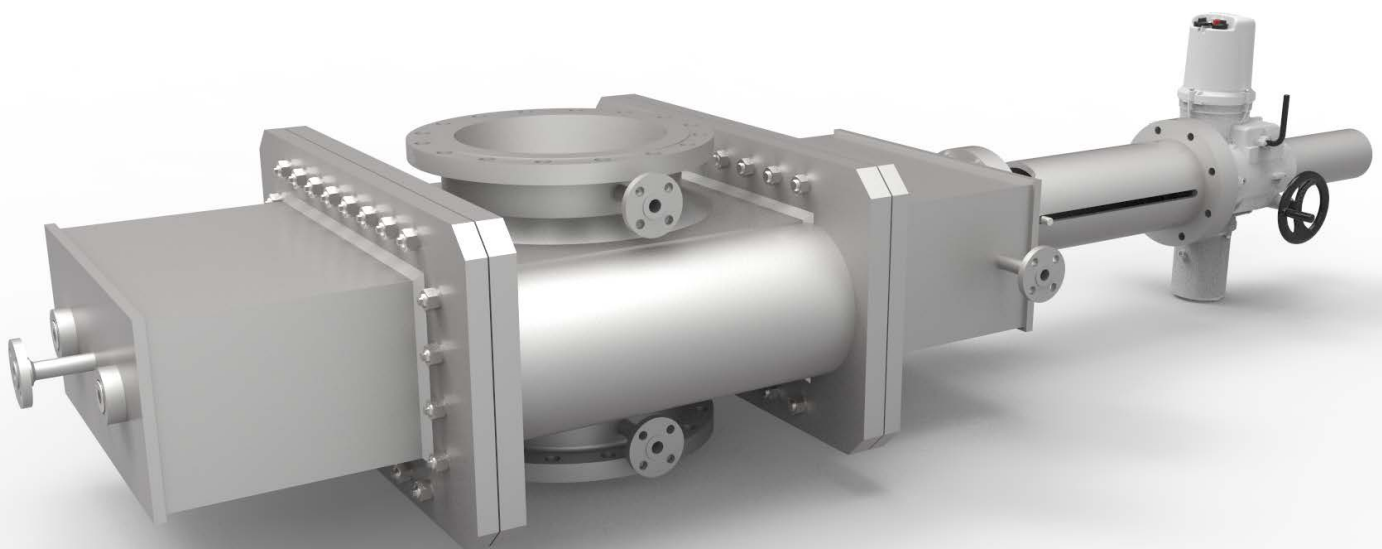
In the field of **Ethylene Production**, VCL offers Transfer Line and Decoke Line Isolation Valves tailored to your needs.

The **Double Disc Trough Conduit type** Gate Valve has a higher tightness and subsequently a higher safety level than other designs. It provi-

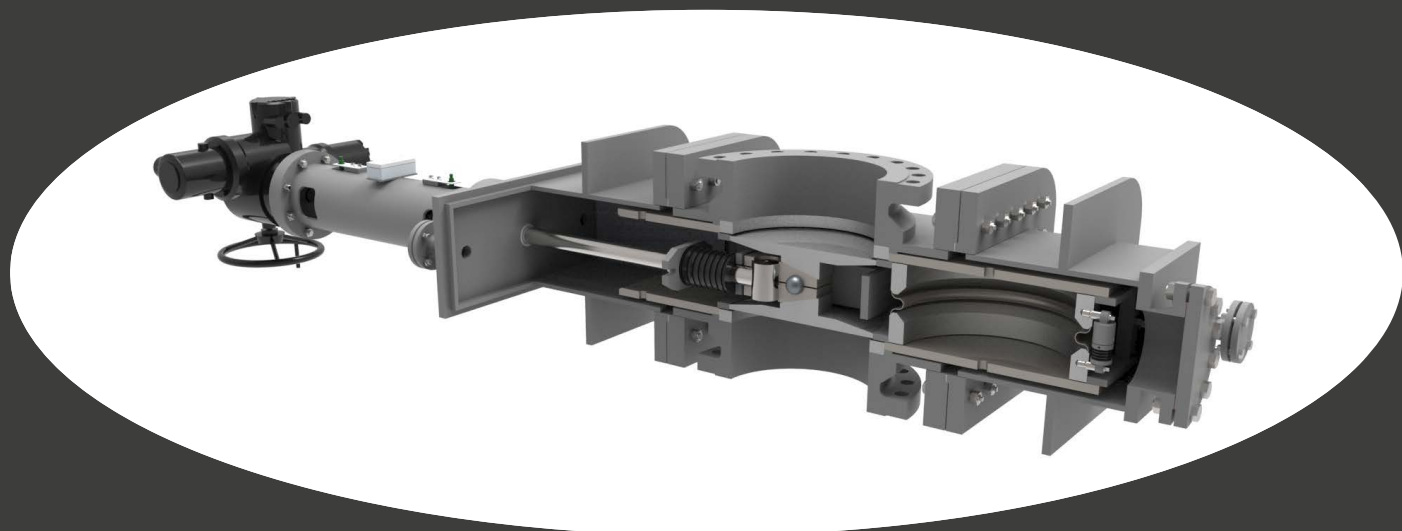
des a true double isolation and purge capability within one valve body. To achieve the same functionality with other valves, two valves installed in the same line and an additionally purging of the space between the two valves are necessary.

Key features

- ▶ Double Disc Technology provides positive, tight shut-off by means of active sealing force when shut
- ▶ True Double Block and Purge performance within one valve body
- ▶ Special valve-body design to avoid unequal seat deformation provides :
 - higher tightness (20% less steam leakage)
 - less deformation of the connecting flanges
 - less stress to the valve-body welding-seams
 - > better fatigue performance
- ▶ Open throughway without flow restrictions in open position
- ▶ Electrical, hydraulic or pneumatic options available for valve actuation
- ▶ Valve design according to customer demands and licensors/customers specifications



Transfer Line Isolation Valve (TLV)

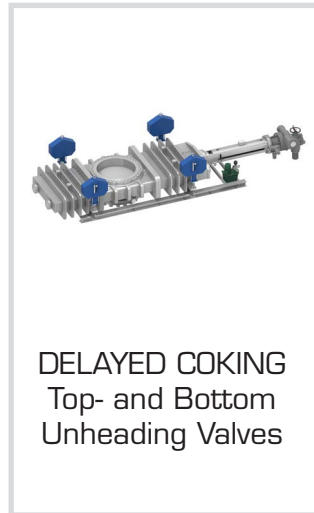


Typical Figures

- ▶ size from 10" (250 mm) up to 58" (1450 mm)
- ▶ operating temperature up to 525°C
- ▶ operating pressure up to 16 bar(g)
- ▶ actuation: electric, pneumatic or hydraulic

Other sizes, design features and / or operating features are available on request.

VCL PRODUCT RANGE - OIL & GAS



ADDITIONAL PRODUCTS - IRON & STEEL

Goggle Valves, Lever Valves, Double Eccentric Valves, Butterfly and Louver Valves, Dust Outlet Valves, Hot Blast Valves, Tuyere Stocks, Wedge Gate Valves

Push Lever Valves, Snort Valves, Bleeder Valves, Equalizing & Relief Valves, Back Draft Valves, Non Return Valves, Line Blinds

ADDITIONAL SERVICES

Repair Service, Refurbishment and Modifications,
Spare parts for each kind and brand of Valves



JV of Paul Wurth & www.sab.lu

19, Op der Ahlkärrech
L-6776 Grevenmacher
Tel.: +352 276854-0
Fax: +352 276854-99
E-mail: info@vcl.lu
Web: www.vcl.lu